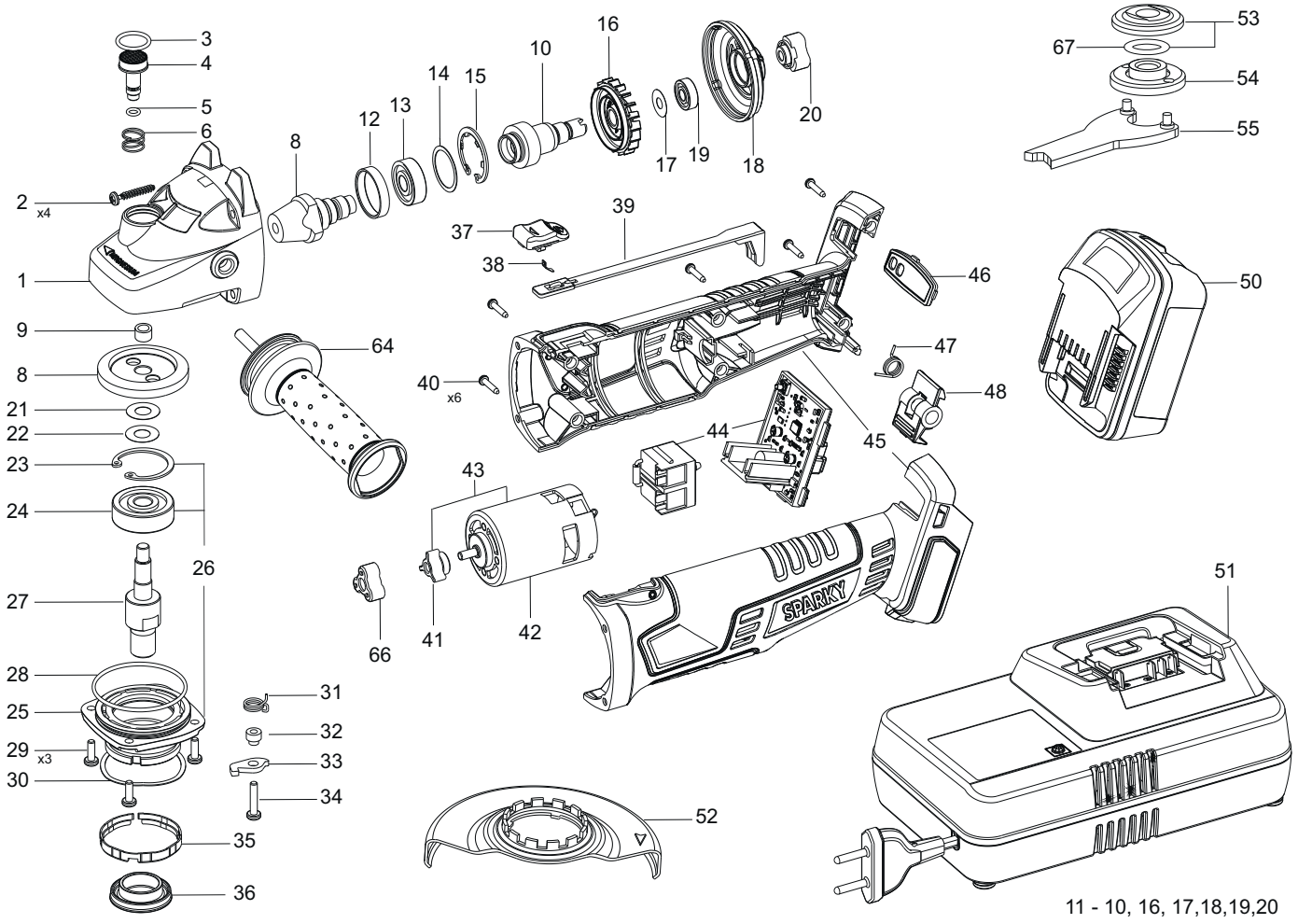


POS. No.	Ref. No.	Description	POS. No.	Ref. No.	Description
1	145258	Gear box	30	177346	Spring
2	361468	Screw K4x22 TORX 20	31	142830	Spring
3	330335	O-ring 16X2B	32	177344	Bush
4	145789	Lock button	33	146755	Lock lever
5	330704	O-ring 5x1,5 NBR 70	34	361189	Screw H2-M4X20
6	115165	Spring	35	142061	Circlip S
8	149048	Gear set	36	147939	Labyrinth Washer
9	933756	Bearing HK0709	37	157301	Button
10	149069	Shaft	38	157990	Spring
11	145257	Shaft set	39	142624	Guiding switch lever
12	156478	Rubber bush	40	361303	Screw
13	330945	Bearing 6000 2RSL P63 LDS18SpA	41	142626	Rivet 2
14	156480	Inner Flange	42	142786	Motor MABUCHI RT-8B7WA
15	154796	Circlip SPARKY 30	43	142789	Motor set
16	142629	Fan	44	142790	PCB+switch set
17	154261	Oil - churning bush	45	142773	Casing set SPARKY
18	142628	Shield - Diffuser	46	148362	Screen BUR2 15/18Li HD
19	331233	Bearing 607 2RSL P63 LDS18SpA	47	142775	Spring
20	142625	Rivet 1	48	142685	Lock button
21	117798	Spacer washer	50	148363	Battery pack ass'y BL 1840
22	117799	Spacer washer	51	148367	Charger.ass'y/EU (12-18V/1,5-3Ah)Li
23	330732	Circlip A35-1D	52	146759	Guard Φ125 T20/HD/1,5
24	331669	Bearing 6202-2RSL (15x35x11)	53	144108	Collar
25	145785	Bearing bed HD	54	121838	Locking nut
26	145786	Bearing bed set HD	55	154268	Spanner 173 set
27	117788	Spindle	64	146375	Handle AVR M8/L10
28	330847	O-ring 48x2.0 NBR 70	66	142627	Rivet
29	361131	Screw H2-M4x12	67	331842	O-ring 20.35x1.78



11 - 10, 16, 17, 18, 19, 20